

**Substrate  
Volume  
Cutting**

## Fletcher ALTA<sup>99</sup> Multi-Material Volume Cutter

Consistent Cutting Speed  
Provides Reliable Edge Quality

Eliminate Fatigue & Increase  
Production Output &  
Multi-Tasking Functions

Cuts Clean &  
Debris-Free Eliminating  
Secondary Processes

**Aluminum  
Sheets**  
Up to .080"

**Aluminum  
Composites**  
Up to 4mm

**PVC**  
Up to 10mm

**Corrugated  
Plastics**  
Up to 1/2"(13mm)

**Foamboard**  
Up to 1/2"(13mm)

### Accurate. Versatile. Durable. Profitable. Proven.

Since 1868, Fletcher-Terry has revolutionized advanced cutting solutions for numerous global industries. Our versatile ALTA99 Multi-Material Cutter is geared towards volume cutting where production output is required with a full range of rigid substrates either with a pre-printed or post printed graphic application. The ALTA99 cuts aluminum composite and aluminum sheet materials, debris-free, enabling you to place it in the same work area as your dust-sensitive printing device.

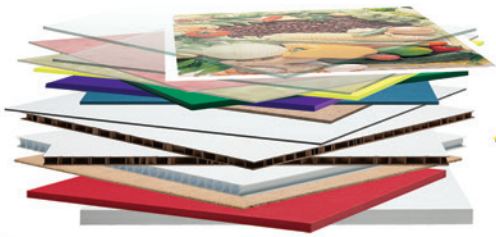


The Fletcher-Terry Company, LLC

[www.fletcher-terry.com](http://www.fletcher-terry.com)



Ask your distributor about our new Substrate Swatch Book to assist you in your cutting needs.

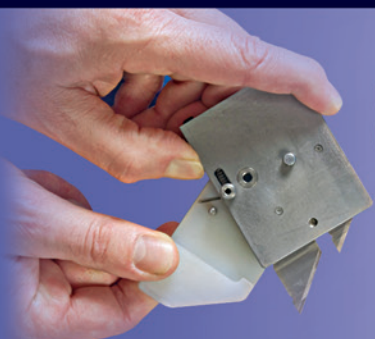


# ALTA<sup>99</sup>

FLETCHER Automated Substrate Cutter

www.fletcher-terry.com

SIGN FABRICATORS • DIGITAL PRINT AND PHOTO LABS • PHOTOGRAPHERS • MATERIAL CONVERTING SUPPLIERS • POP DISPLAY/EXHIBIT HOUSES • SIGN



Interchangeable  
Cutting Heads

**“Double Blade”  
Knife Cutter**  
Corrugated Plastics  
Foamboard Up to 1/2”(13mm)  
PVC Up to 10mm



**Aluminum  
Sheets**  
Up to .080”



**Aluminum Composites  
(AMC)**  
Up to 4mm



## Substrate Volume Cutter

### ALTA99 Technical Specs

**Vertical Cutting Capacity:** 99” (2.5m)

**Production Aid:** Four different starting height locations depending on size of the material – 24” (.61m), 48” (1.22m), 72” (1.83m) and 99” (2.51m)

**Cutter Head:** Fixed travel speed to starting location: 9.7 inches per second

**Interchangeable Heads:** Cutters, wheels and tool holders made from steel

**Drive Mechanism:** The power behind the Alta99 is its motor-driven lead screw drive mechanism with variable speed control powered by a 1/2 Hp Motor.

### Unique Performance Features

- Interchangeable Cutting Head Technology
- Cut’s clean debris-free, no secondary processing
- Can be placed in same room as printer, saving valuable shop floor space
- Equipped with laser sight line for accurate cutting – comes as part of purchase package
- Mounts on wall or free-standing
- Heavy duty design for years of dependable service

### Part No Information-ALTA99

**Part # 04-800: Domestic Unit**  
**Part # 04-801: CE International Unit**

### Purchase Package

- (1) Alta99 Unit (free-standing or wall-mount setup)
- (1) “Double Blade” Knife Holder
- (1) ACM Wheel Holder
- (1) Aluminum Sheet Wheel Holder
- (1) Laser Sight Cutting Guide
- (4) Tubes of 10 Knife Blades
- (2) Production Stops

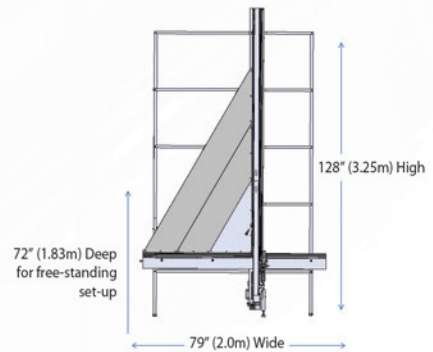
### Options & Replacement Accessories

- 05-222** Blades (10/tube) used with Double Blade Holder
- 05-230** Aluminum Composite Wheels (2/envelope)
- 17-416** Aluminum Sheet Holder for 05-231 Wheels
- 05-231** Alum Sheet Wheels (2/envelope) for .063 & .080 Aluminum
- 05-232** Alum Sheet Wheels (2/envelope) for .040 Aluminum
- 17-419** Single Thin Blade Holder
- 05-004** Utility Blade Holder for 17-419

**Cuts  
4' x 8'  
Sheets**



Mutoh ValueJet 1608HS Hybrid Printer



### Alta99 Market Users

- Sign & Graphic
- Picture Framing
- Architectural
- Building & Construction
- Government Agencies
- Digital Printers



The Fletcher-Terry Company, LLC